

Quality Sneeze Guards

by Hardware Specialties

Pass Over 45°
Sneeze Guard



Standard Specifications:

The specifications below apply to our standard line of Pass Over Sneeze Guards. Please call for specs. on our non-standard sizes and finishes.

- 1 1/2" Round Tubing (Also available in 1" tubing)
 - 3" Heavy Duty Flanges
 - Glass brackets accept 1/4" or 3/8"
 - Standard finish: #4 brushed stainless steel
 - Available in polished and powder coated finishes.
- Please call for rates and lead times for non-standard finishes.

Note: Glass is not included. See "Glass Recommendations" below.

Standard 1 1/2" Part Numbers

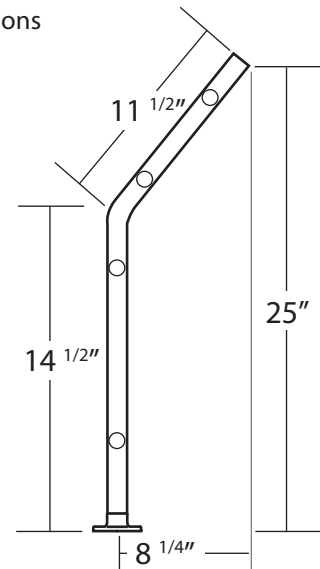
Part #	Description
RSGPO45-RHOE	Pass Over 45° End Post, Right Hand Open End
RSGPO45-RHCE	Pass Over 45° End Post, Right Hand Closed End
RSGPO45-LHOE	Pass Over 45° End Post, Left Hand Open End
RSGPO45-LHCE	Pass Over 45° End Post, Left Hand Closed End
RSGPO45-C	Pass Over 45° Center Post

Glass Recommendations:

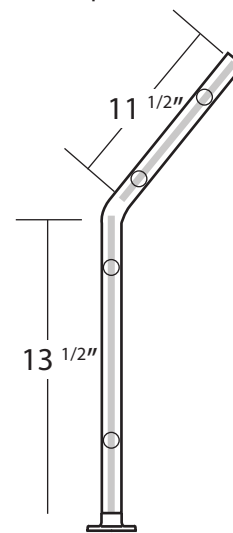
We recommend setting your posts in place prior to ordering glass from your local glass company. This will ensure the proper size. For 1/4" glass, we recommend a span of no more than 3 feet. For 3/8" glass, we do not recommend spanning the glass more than 4 feet.

* Closed-end option comes with an extra clip for mounting glass to counter or wall. Optional end post can be used to mount glass.

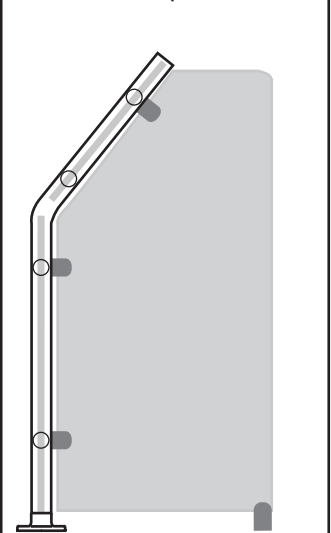
Frame Specifications



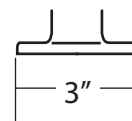
Glass Specifications



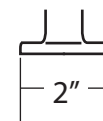
Closed-end Option*



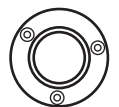
Flange



Standard Size Flange



Slimline Size Flange



Tubing Size

